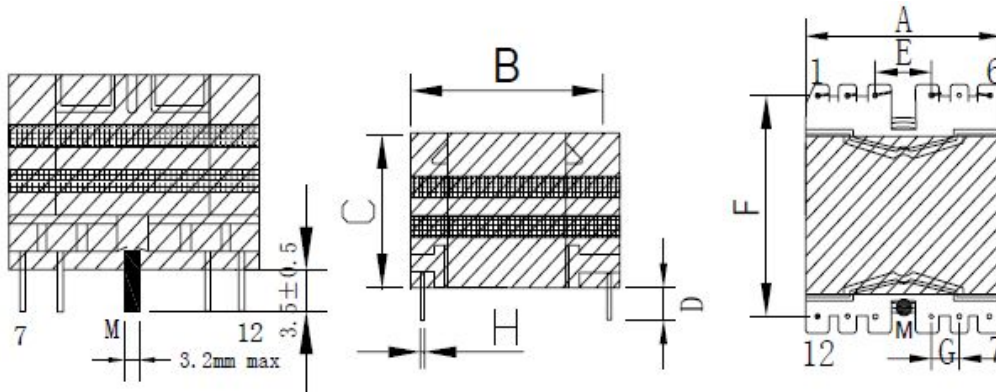


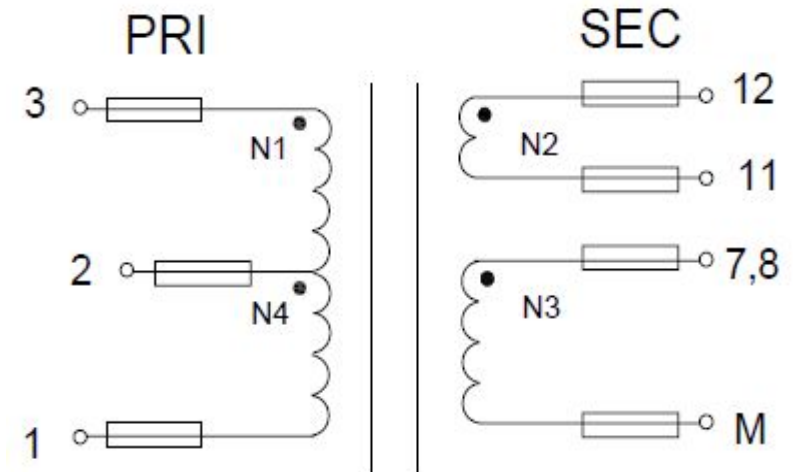
CUSTOMER TERMINAL	ROHS	Lead(Pb)-free
	YES	YES

## 1. Mechanical Dimensions



A	43.0	MAX
B	47.0	MAX
C	26.5	MAX
D	3.5	±0.5
E	15.2	±0.3
F	41.6	±0.4
G	5.1	±0.3
H	0.80	±0.1

## 2. Schematic Diagram



## 3. Material List

Core:FW44 PQ4025

Bobbin:PQ4025(6+6PIN)

Wire: TIW LITZ 2UEW

Copper foil:0.025t\*8.0mm

Operating Temperature: -30 to115 °C

## 4. Electrical Specification

Inductance :  $L(1-3):1200\mu\text{H}\pm 5\%$  30KHZ , 1.0V

Leakage Inductance : 29 $\mu\text{H}$  MAX 30KHZ , 1.0V

DCR : (1-3)=0.467 $\Omega$  MAX (11-12)=99.7m $\Omega$  MAX

Hi-Pot:P-S: AC 60Hz 4000V 1mA 3S

S-CORE: AC 60Hz 500V 1mA 3S

REV.	DATE	<p>Convention Placement</p>	DRW.	Drawing Title:	Part No:		
0	00/00		CHK.			<b>TRANSFORMER</b>	FWPTPQ4025V122J-2
			APP.			Customer P/N	Specification Sheet 1of 1

**ROHS**

[www.ferriwo.com](http://www.ferriwo.com)